

MOUNTING SYSTEM FOR INDUSTRIAL ROOFS

M-IR-800L-64



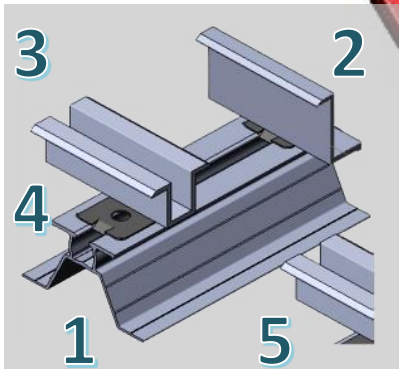
Trapezoidal polyurethane sandwich roofs

TECHNICAL FEATURES

| | |
|------------------------|--|
| Application | <i>Industrial roof installations.</i> |
| Materials | <i>Aluminum.</i> |
| Accessories | <i>High quality INOX or galvanized ones.</i> |
| Orientation | <i>Landscape.</i> |
| Inclination | <i>Parallel to the roof.</i> |
| Anchoring | <i>Self-drilling screws on the roof panel.</i> |
| Standard | <i>Eurocodes & National Annexes.</i> |
| Mbmax for rail | <i>0.90 kNm.</i> |
| Wind load limit | <i>33 m/s (Terrain Category III).</i> |
| Snow load limit | <i>1.7 kN/m² (Zone C).</i> |

MOUNTING SYSTEM FOR INDUSTRIAL ROOFS

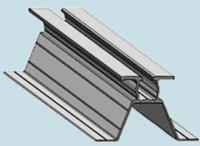
M-IR-800L-64



PANEL-TO-SURFACE JOINT



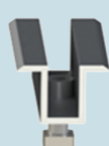
Perspective View and Components



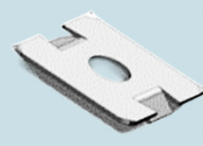
1: PV RAIL



2. END CLAMP



3. MIDDLE CLAMP



4. EARTH CLAMP



5. SELF-DRILLING SCREW

