

MOUNTING SYSTEM FOR INDUSTRIAL ROOFS

M-IR-830L

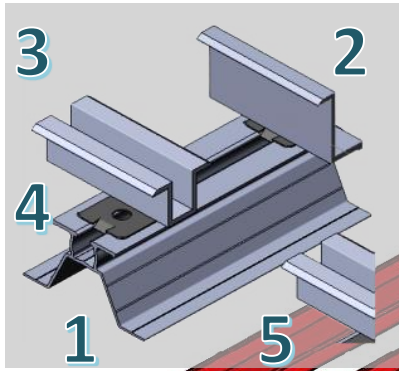
Corrugated/flat metal sheet/sandwich panel roof tops landscape

TECHNICAL FEATURES

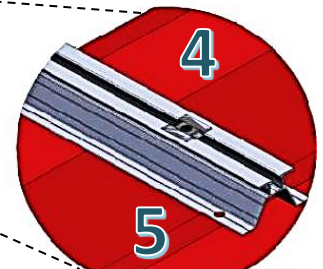
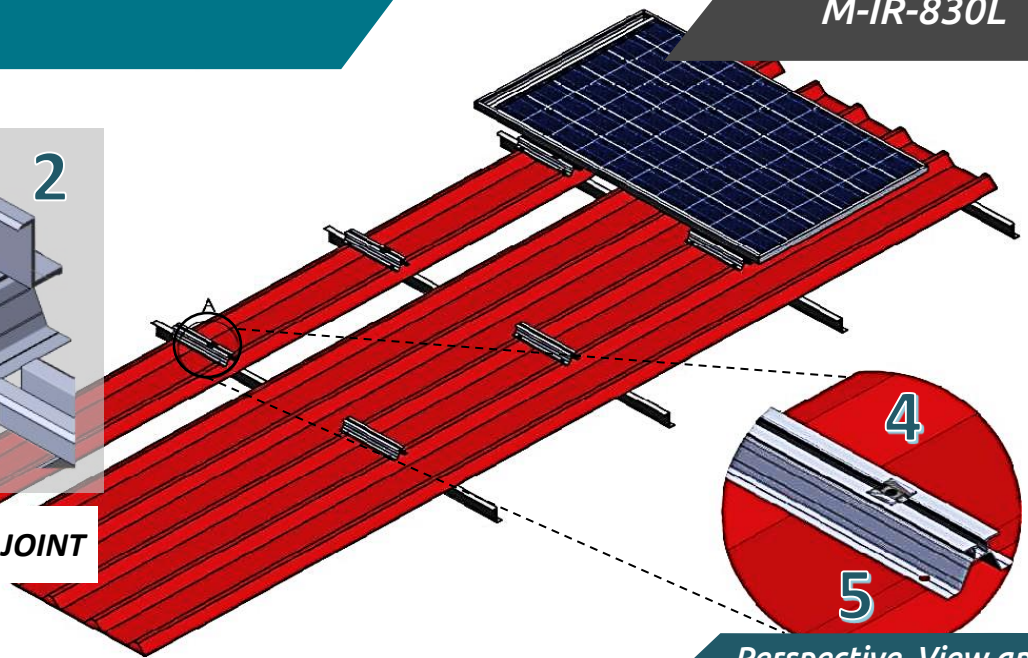
Application	<i>Industrial roof installations.</i>
Materials	<i>Aluminum.</i>
Accessories	<i>High quality INOX or galvanized ones.</i>
Orientation	<i>Landscape.</i>
Anchoring	<i>Thin bi - metal sheet screws on the metal sheet.</i>
Standard	<i>Eurocodes & National Annexes.</i>
Mbmax for rail	<i>0.70 kNm.</i>
Wind load limit	<i>33 m/s (Terrain Category III).</i>
Snow load limit	<i>1.7 kN/m² (Zone C).</i>

MOUNTING SYSTEM FOR INDUSTRIAL ROOFS

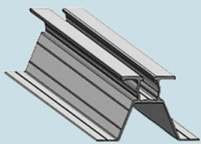
M-IR-830L



PANEL-TO-SURFACE JOINT



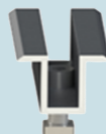
Perspective View and Components



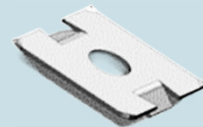
1: PV RAIL



2. END CLAMP



3. MIDDLE CLAMP



4. EARTH CLAMP



5. SELF-DRILLING SCREW

