

## MOUNTING SYSTEM FOR INDUSTRIAL ROOFS

**M-IR-830P**

*Corrugated/flat metal sheet/sandwich panel roof tops portrait*

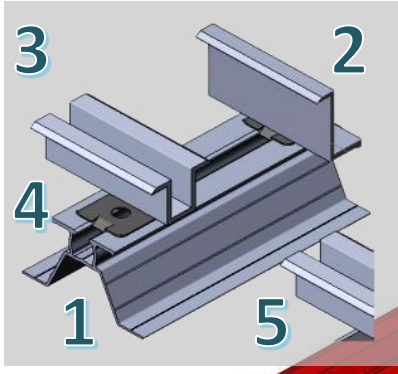
### TECHNICAL FEATURES

<b>Application</b>	Industrial roof installations.
<b>Materials</b>	Aluminum.
<b>Accessories</b>	High quality INOX or galvanized ones.
<b>Orientation</b>	Portrait.
<b>Anchoring</b>	Thin bi - metal sheet screws on the metal sheet.
<b>Standard</b>	Eurocodes & National Annexes.
<b>Mbmax for rail</b>	0.70 kNm.
<b>Wind load limit</b>	33 m/s (Terrain Category III).
<b>Snow load limit</b>	1.7 kN/m <sup>2</sup> (Zone C).

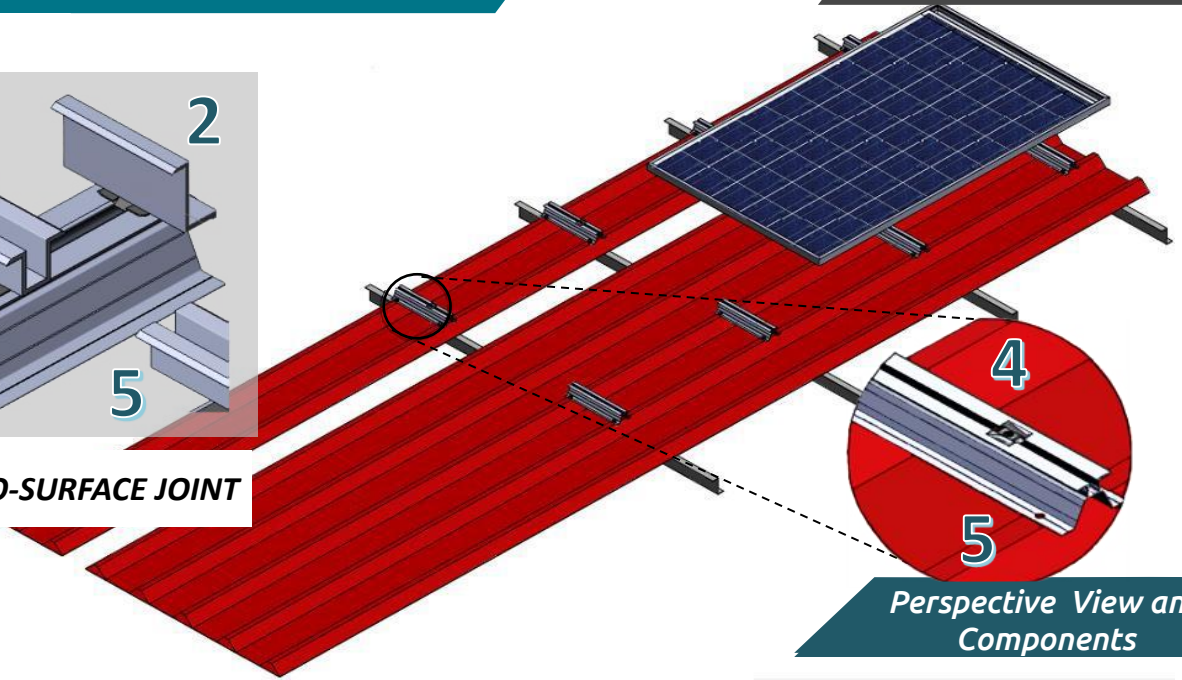


## MOUNTING SYSTEM FOR INDUSTRIAL ROOFS

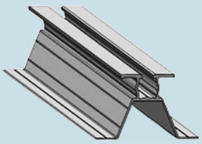
**M-IR-830P**



**PANEL-TO-SURFACE JOINT**



**Perspective View and Components**



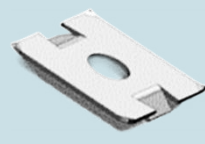
**1: PV RAIL**



**2. END CLAMP**



**3. MIDDLE CLAMP**



**4. EARTH CLAMP**



**5. SELF-DRILLING SCREW**

